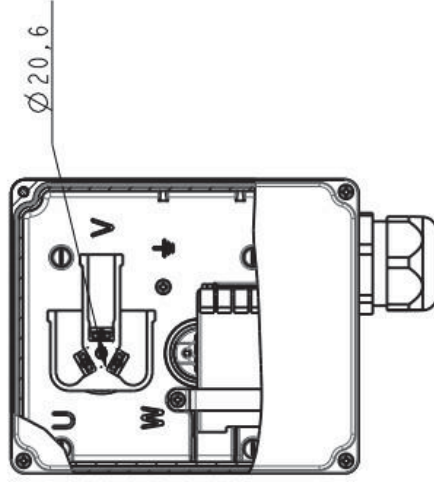
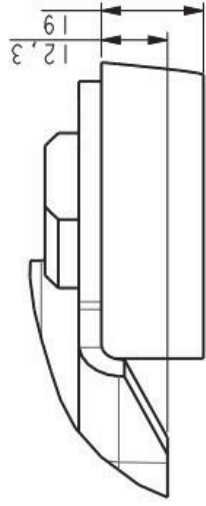
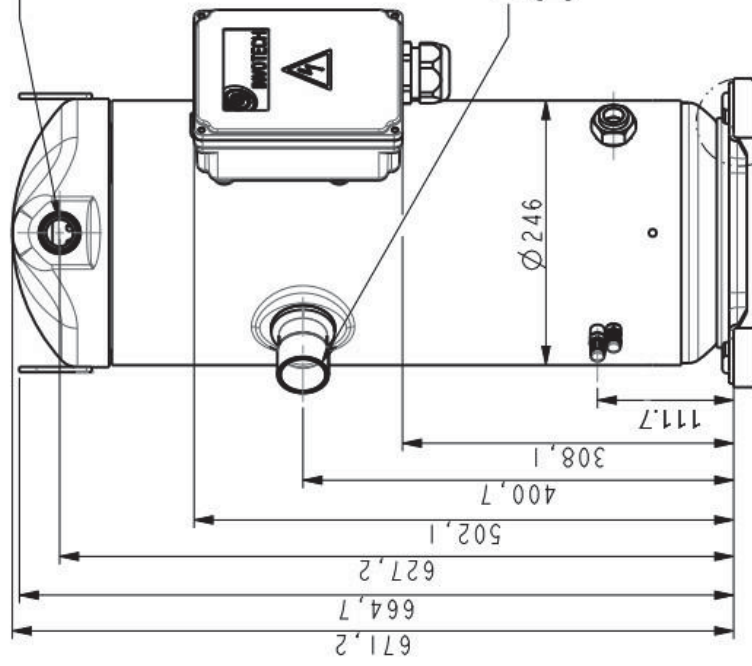
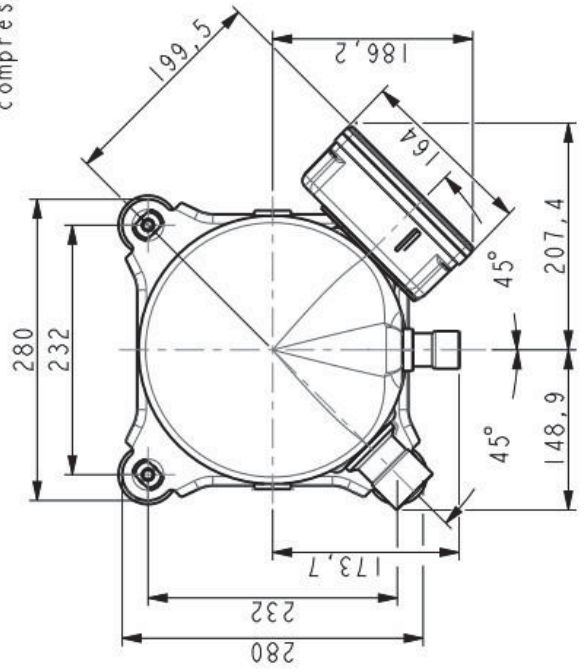


I.D.:  $\varnothing 28.8 - \varnothing 28.9 \nabla 20$  min  
 copper plated steel pipe  
 copper plating thickness: 0.04-0.08



wiring connection

compressor foot



Suzhou Invotech Scroll Technologies Co.,Ltd							