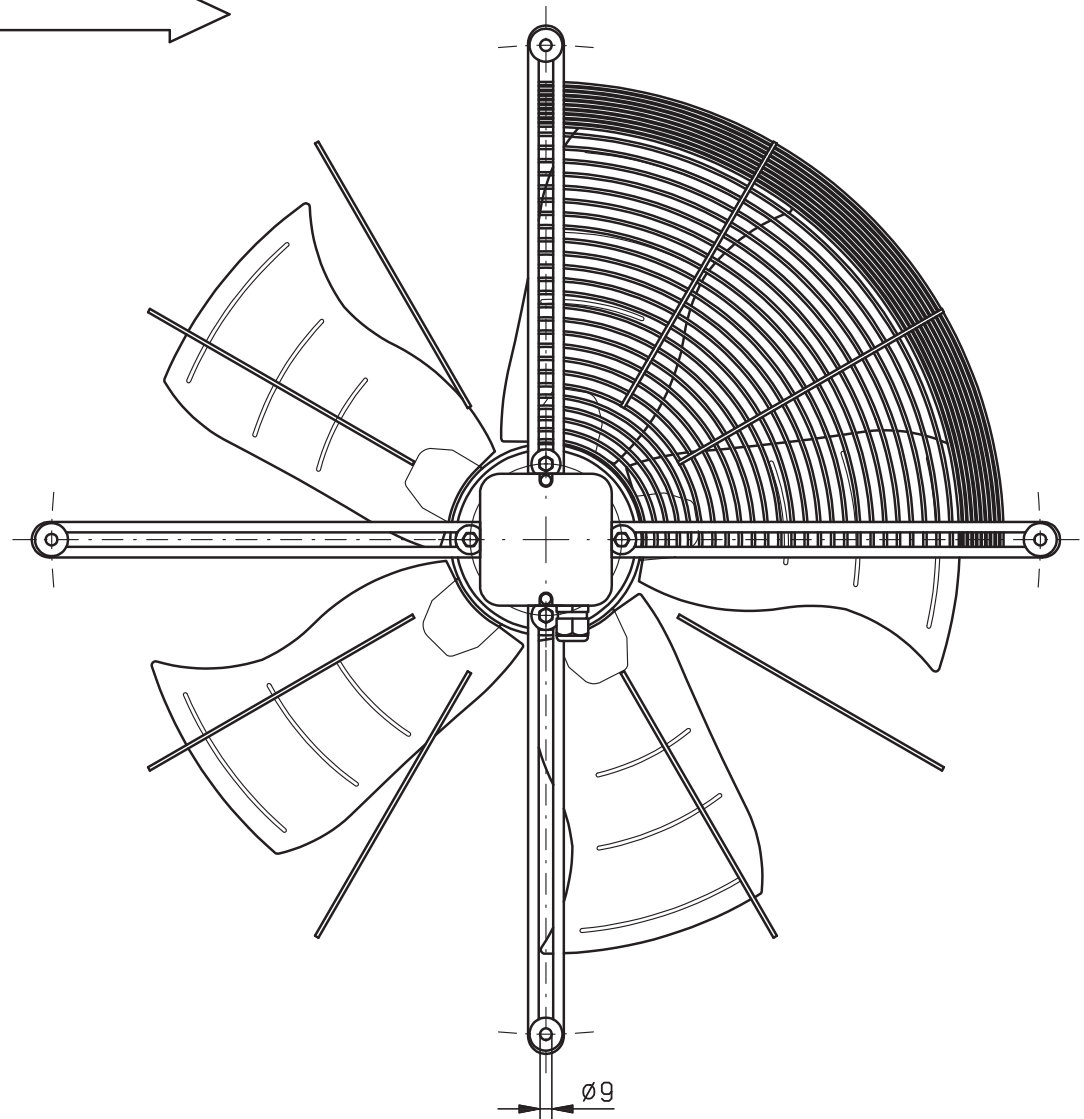
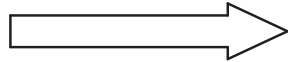


Förderrichtung "A"



| | | | | | | | | | | | | |
|---------------------------------------|-----|--------------|-------|------|-----------|-----------------------|--------|-------|------|---|-------------------|------------------|
| Verfasser : TK/TM . OS . EK .PL CC | 9 | | | | Werkstoff | Freimaßtoleranzen | 2016 | Datum | Name | Baugröße | AKS_630-_N.5HA.A3 | Maßstab scale |
| | 8 | | | | material | dimensional variation | 25.07. | Pi | type | Axialventilator Axial fan | | |
| | 7 | | | | | DIN 7168 m | 25.07. | Bm | | | Art. Nr. | |
| | 6 | | | | | | | | | rosenberg Ventilatoren GmbH D - 74653 Künzelsau Tel. (07940) 142-0 | | |
| | 5 | | | | | | | | | | | erst. |
| 4 | | | | | Gewicht | weight | | | | | 1 : 4 | |
| 3 | | | | | | | | | | | | |
| 2 | | | | | | | | | | | | |
| 1 | | | | | | | | | | | | |
| | Nr. | Änderung | Datum | Name | | | | | | | | |
| | | modification | date | name | | | | | | | | |