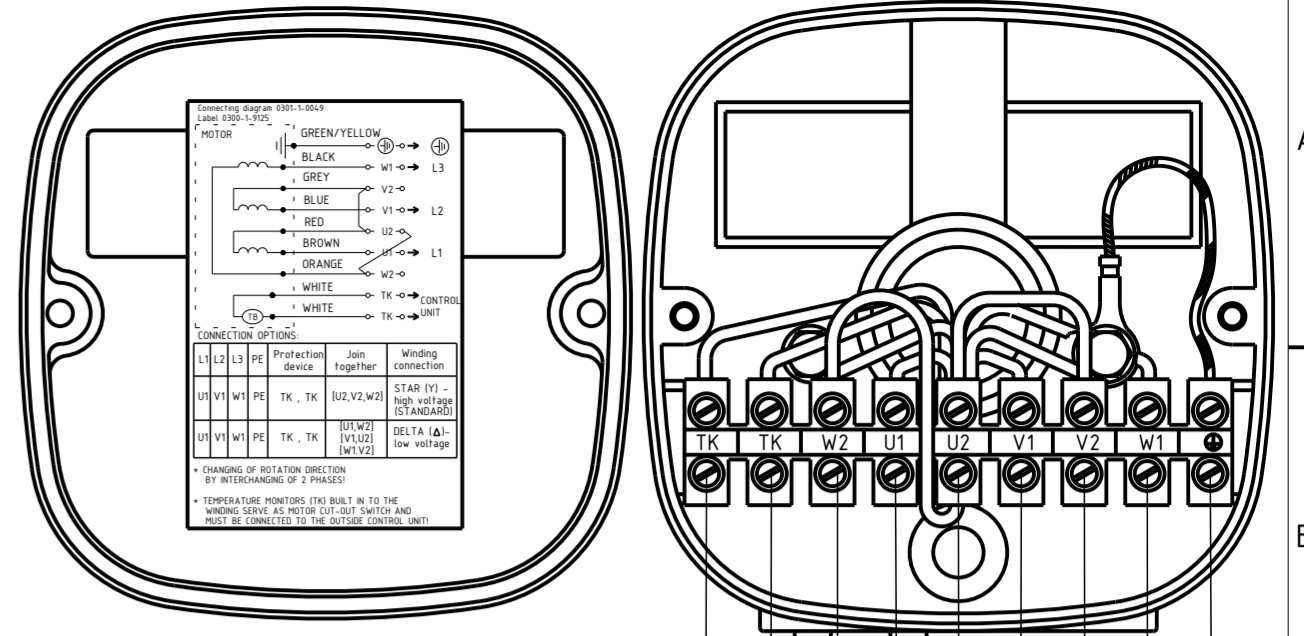
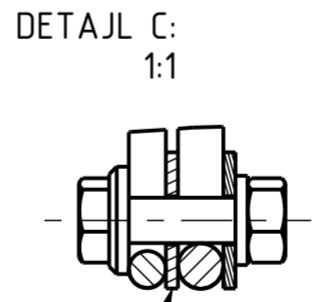
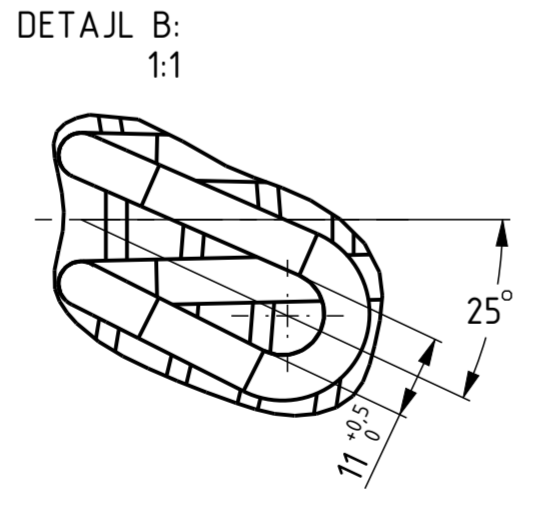
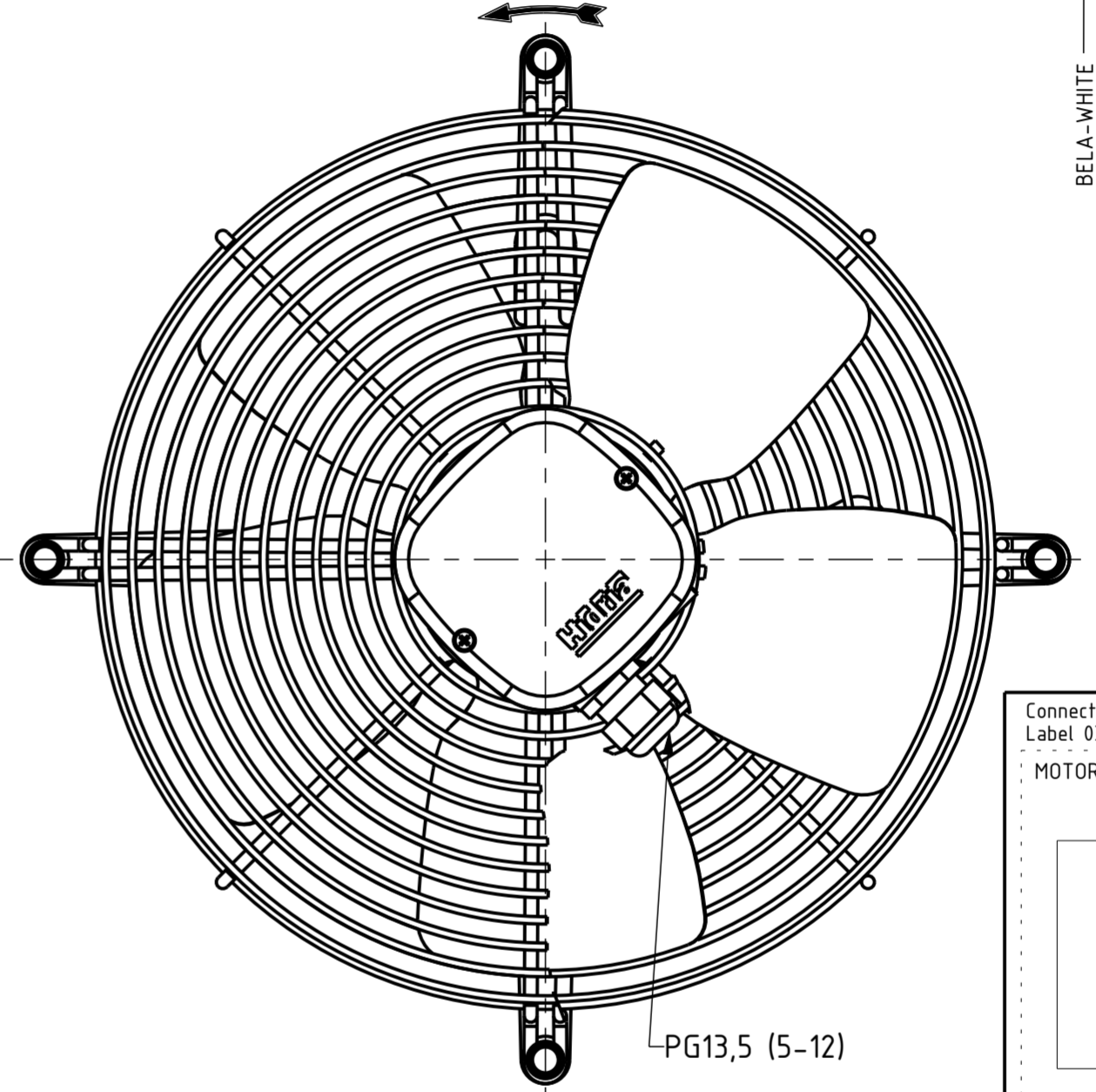
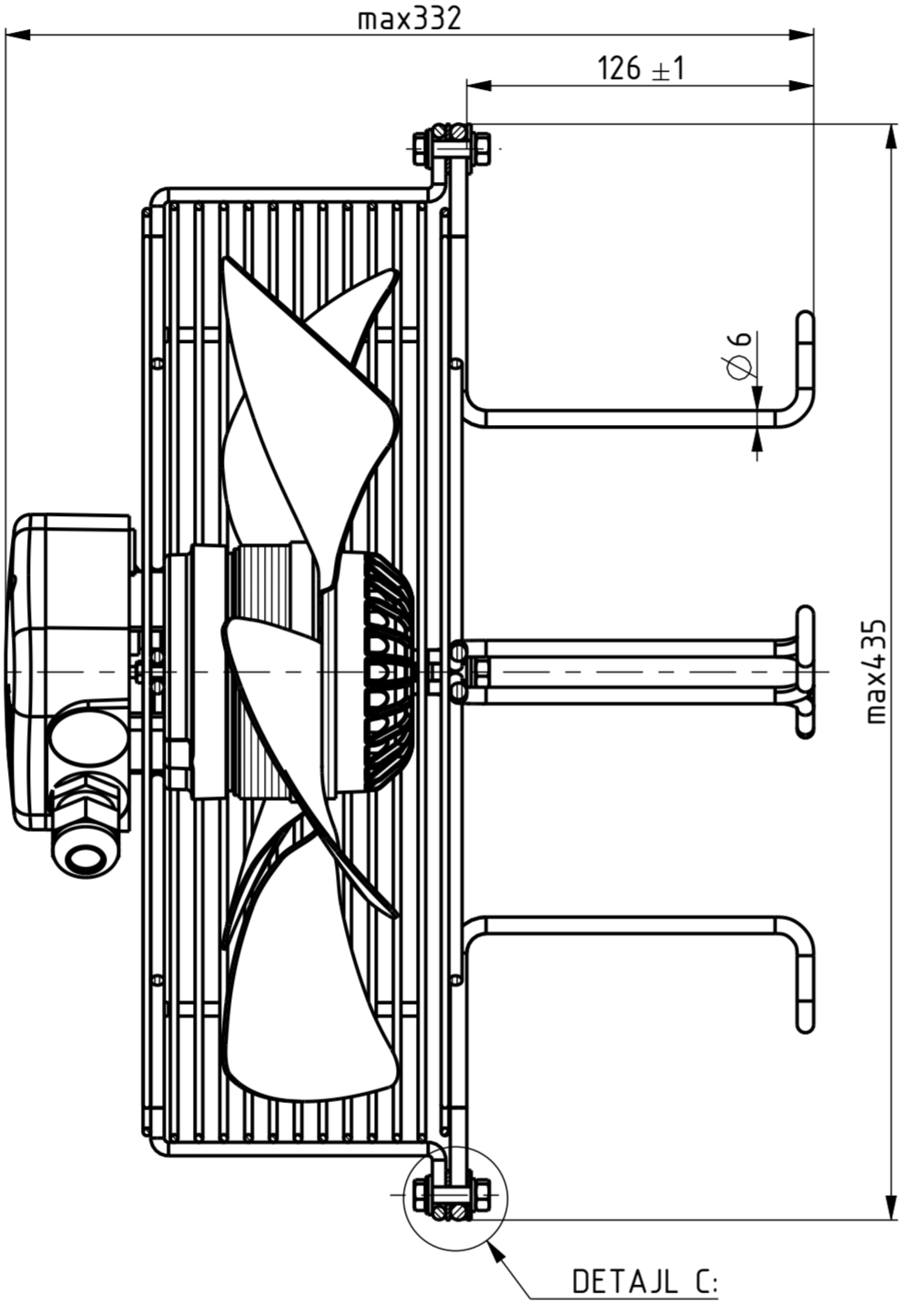
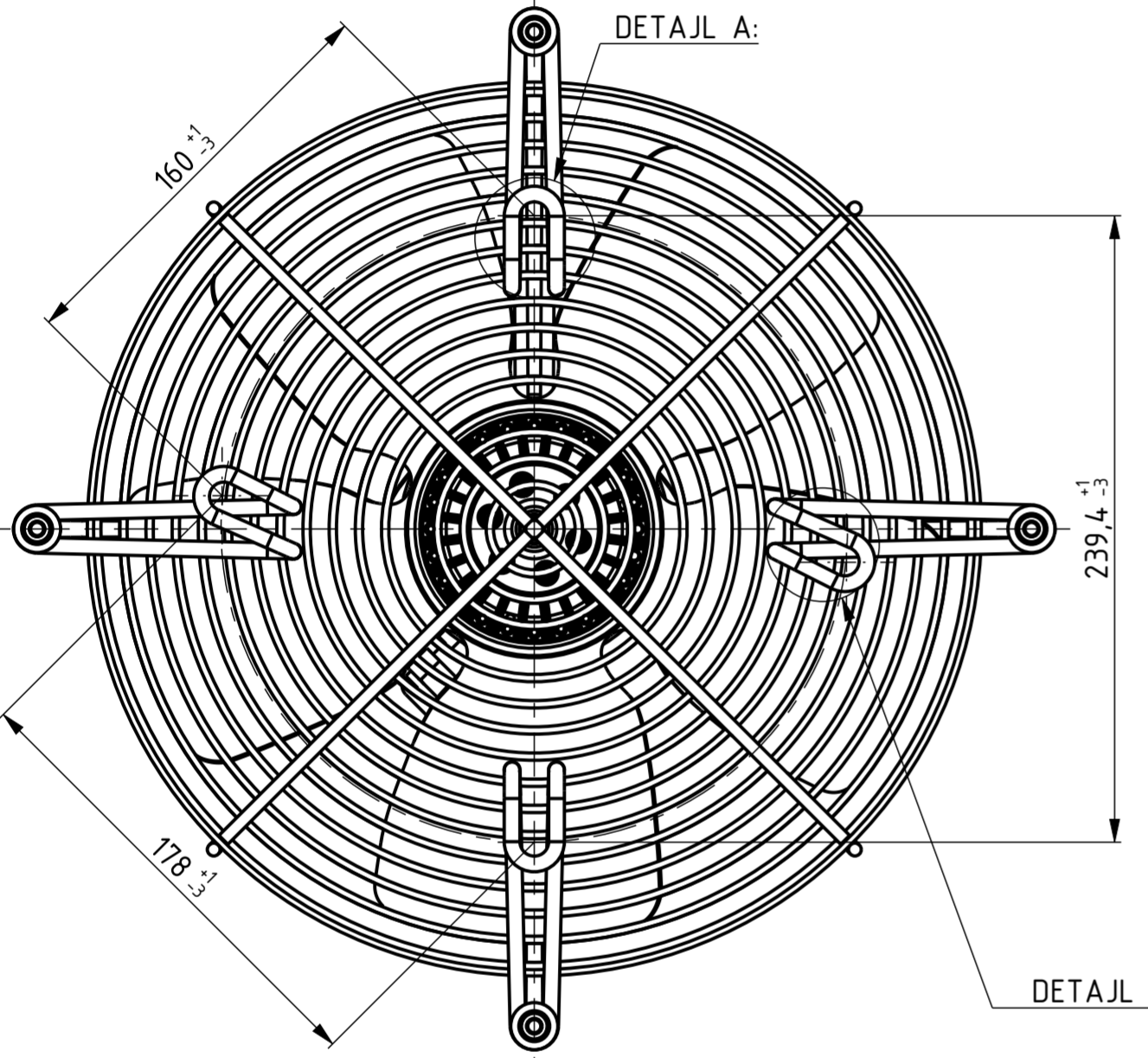


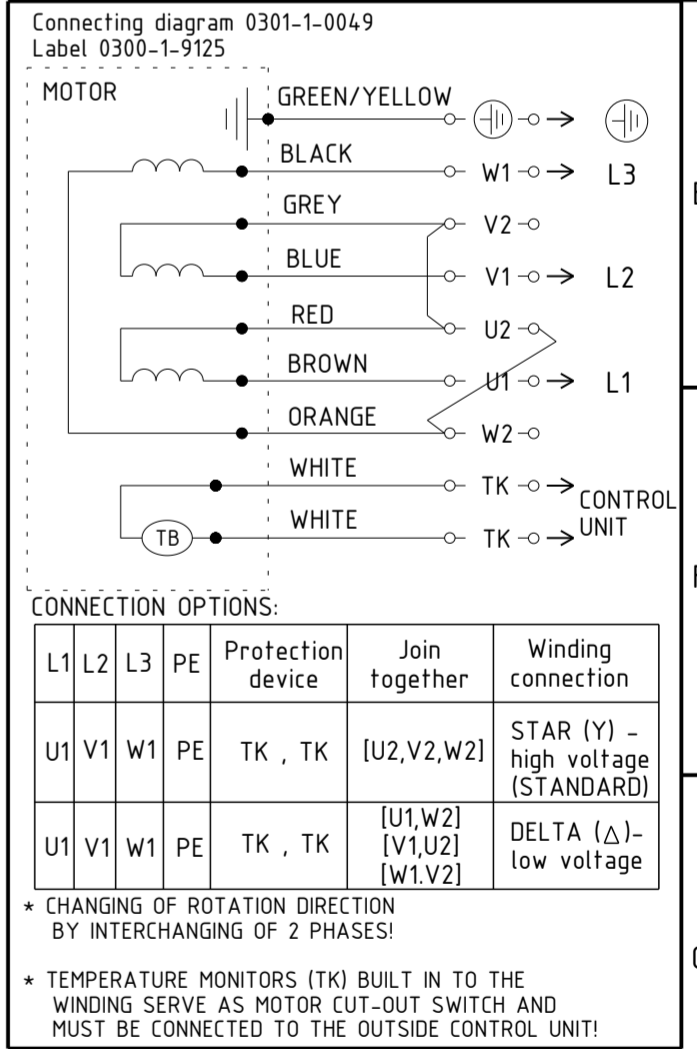
BLOWING  
AIRFLOW DIRECTION  
SMER ZRAKA



BELA - WHITE  
BELA - WHITE  
ORANŽNA - ORANGE  
RJAVO - BROWN  
ROBEČA - RED  
MODRA - BLUE  
SIVA - GREY  
ČRNA - BLACK  
RU ZE - YE GR



Dodana podložka  
Added washer



Standardna vezava je ZVEZDA Y  
V primeru vezave TRIKOT Δ  
glej nalepko v pokrovu  
Standard connection scheme is STAR Y  
If required DELTA Δ see the connection diagram in the cover

**HOMER** MADE IN SLOVENIA **EAC CE** DATE

Ref. Nr. 343031-02  
WEIGHT: 5,05kg

**HOMER** MADE IN SLOVENIA **EAC CE** DATE

R09R-3132P-4T-3561 0309-4-0478  
3~Y400/D230V 50Hz 100W 0,24/0,42A 1380RPM MAX.AMB.70° C  
3~Y400/D230V 60Hz 127W 0,24/0,42A 1560RPM MAX.AMB.70° C  
IP54 INS.CL.155  
THPROT. ROT.

AC	AC	Na nalepki je dodana oznaka: "EAC". On the sticker is added tag: "EAC". Risba v Windchillu je skladna z risbo v arhivu.	10.09.2018	Matjaž H.
AB	AB	Na risbo se doda opomba za lepljenje nalepke 0300-1-9457 na pakirno škatlo. Spremeni se verzija artikla z AA v AB. Risba v Windchillu je skladna z risbo v arhivu.	02.03.2016	Uroš K.

VERZIJA ARTIKLA / ARTICLE REVISION:	VERZIJA RISBE / DRAW REVISION:	OPIS SPREMEMBE / DESCRIPTION OF CHANGE:	DATE:	IZDELAL / PRODUCED:

KONSTRUIRAL / DRN: 05.09.2018 Matjaž Habe		POVRŠINSKA OBD. / SURFACE TEXTURE		NAZIV / TITLE:
ODOBRILO / APP: 11.09.2018 Mha Kavčič		MATERIAL		
KODA MATERIALA / MATERIAL CODE		MASA / MASS:		
NETOL. MERE/UNTOL. DIM: ISO 2768-m		DZJ:		
MERILO/FORMAT: 2,5/A2		KODA: 0309-4-0478		VERZIJA ARTIKLA / ARTICLE REVISION: AC
		0309-4-0478		VERZIJA RISBE / DRAW REVISION: AC
				1/1

**VENTILATOR**  
**R09R-3132P-4T-3561**

Navodilo za kontrolo ventilatorja 0301-1-4900.  
Fan checking instructions 0301-1-4900.  
Na vsako škatlo prilepiti nalepko 0300-1-9457.  
On each box stick label 0300-1-3457.

All drawings, regardless of form, are owned by Hidria d.o.o. and are strictly confidential and present copyrights. Intellectual Property Rights as follows rights under the laws of patents, petty patents, design patents and registered designs, copyrights, trade secret rights, and similar exclusive rights in industrial property connected with the drawings are reserved by Hidria Rotomatika d.o.o. Disclosure to any third party is strictly forbidden.